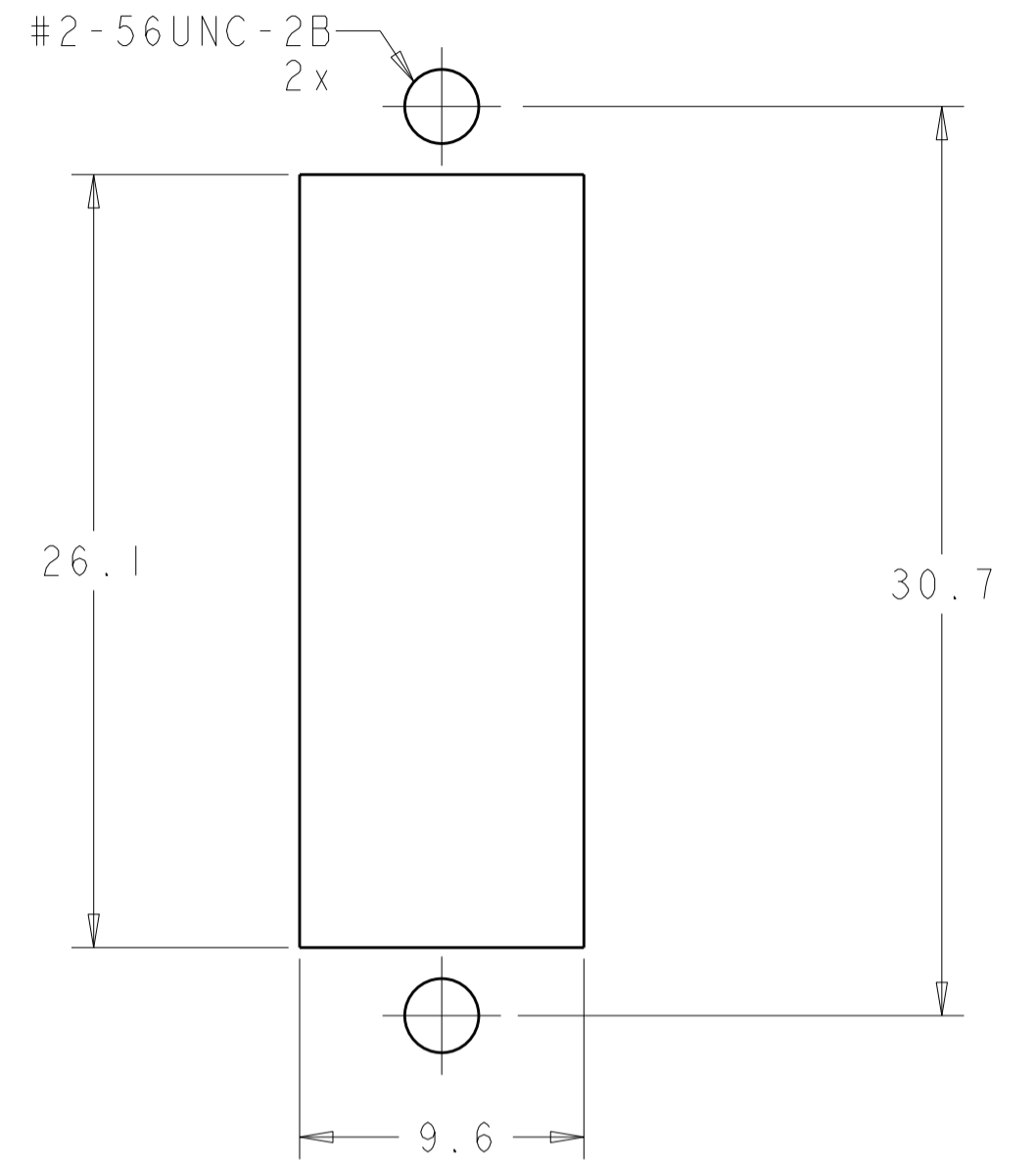
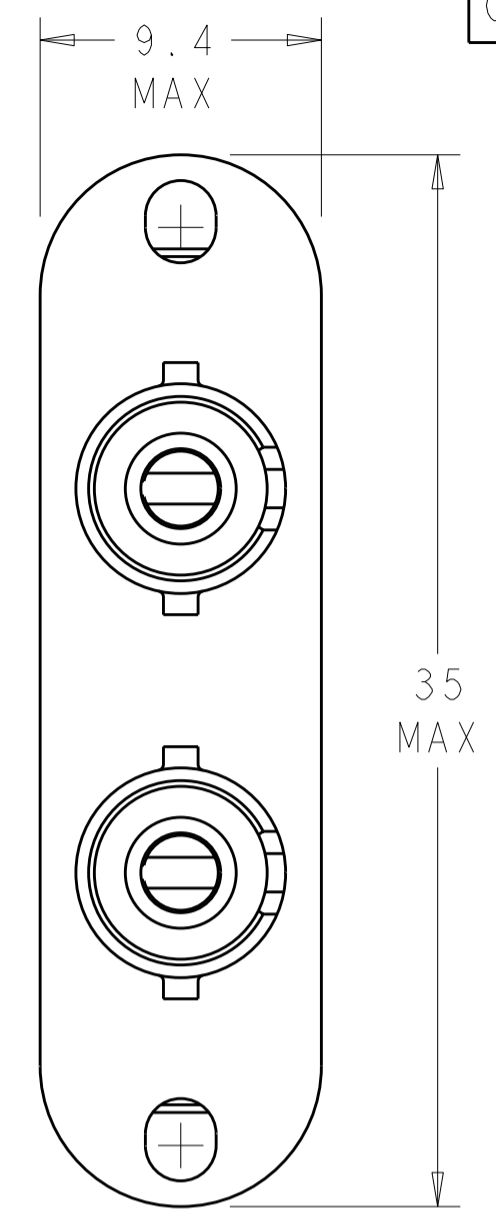
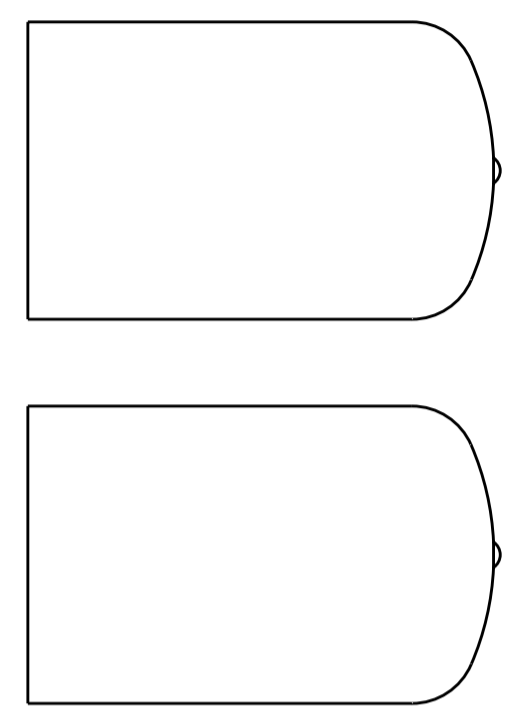
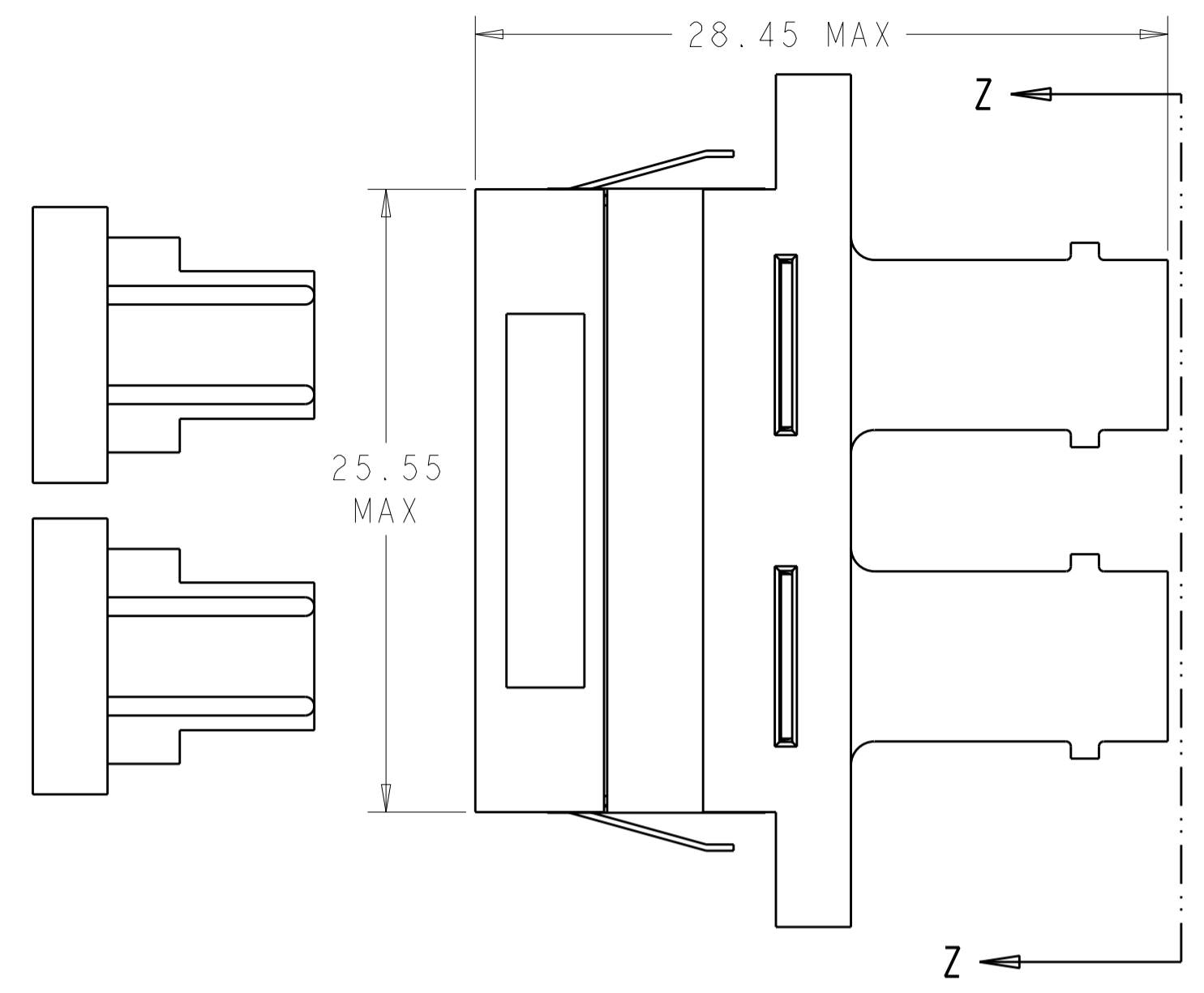
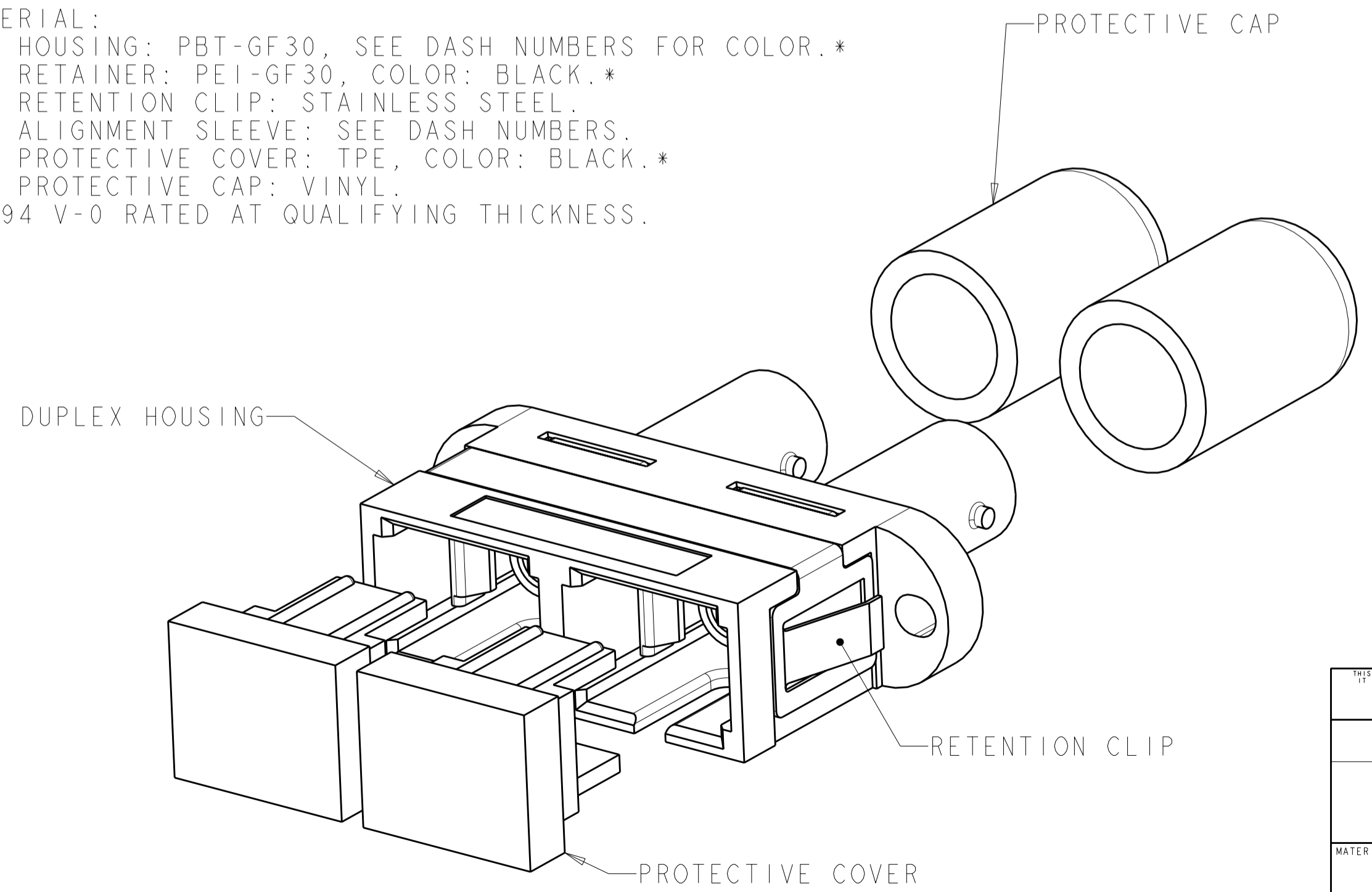


THIS DRAWING IS UNPUBLISHED. RELEASED FOR PUBLICATION 20
 © COPYRIGHT 20 BY TYCO ELECTRONICS CORPORATION. ALL RIGHTS RESERVED.

LOC	DIST	REVISIONS			
P	LTR	DESCRIPTION	DATE	DWN	APVD
CE	00				
R		REVISE PER 0A00-0549-04	29OCT2004	BB	SB
S		REVISE PER ECR-05-009829	31AUG2005	BB	SB
T		REVISE PER ECR-08-000844	23JAN2008	BB	SM



MATERIAL:
 HOUSING: PBT-GF30, SEE DASH NUMBERS FOR COLOR.*
 RETAINER: PEI-GF30, COLOR: BLACK.*
 RETENTION CLIP: STAINLESS STEEL.
 ALIGNMENT SLEEVE: SEE DASH NUMBERS.
 PROTECTIVE COVER: TPE, COLOR: BLACK.*
 PROTECTIVE CAP: VINYL.
 *UL94 V-0 RATED AT QUALIFYING THICKNESS.



NONE	METAL	BLACK	1-503137-7
NONE	CERAMIC	LT ALMOND	1-503137-5
RETENTION CLIP	CERAMIC	BEIGE	503137-6
RETENTION CLIP	CERAMIC	BLUE	503137-5
RETENTION CLIP	CERAMIC	BLACK	503137-4
RETENTION CLIP	METAL	BEIGE	503137-3
RETENTION CLIP	METAL	BLUE	503137-2
RETENTION CLIP	METAL	BLACK	503137-1
HARDWARE	ALIGNMENT SLEEVE	COLOR	PART NUMBER

THIS DRAWING IS A CONTROLLED DOCUMENT FOR TYCO ELECTRONICS CORPORATION. IT IS SUBJECT TO CHANGE AND THE CONTROLLING ENGINEERING ORGANIZATION SHOULD BE CONTACTED FOR THE LATEST REVISION.		DWN B. BRIGGS 29OCT2004	Tyco Electronics Harrisburg, PA 17105-3608	
DIMENSIONS: mm		CHK S. MILLER 29OCT2004	NAME RECEPTACLE ASSEMBLY, DUPLEX, AMP SC TO BAYONET	
TOLERANCES UNLESS OTHERWISE SPECIFIED: 0 PLC ± 1 PLC ±0.1 2 PLC ±0.05 3 PLC ± 4 PLC ± ANGLES ± FINISH		APVD S. BUCHTER 29OCT2004	RESTRICTED TO	
MATERIAL		PRODUCT SPEC	SIZE A200779	DRAWING NO G-503137
CUSTOMER DRAWING		WEIGHT	SCALE 4:1	SHEET OF REV T